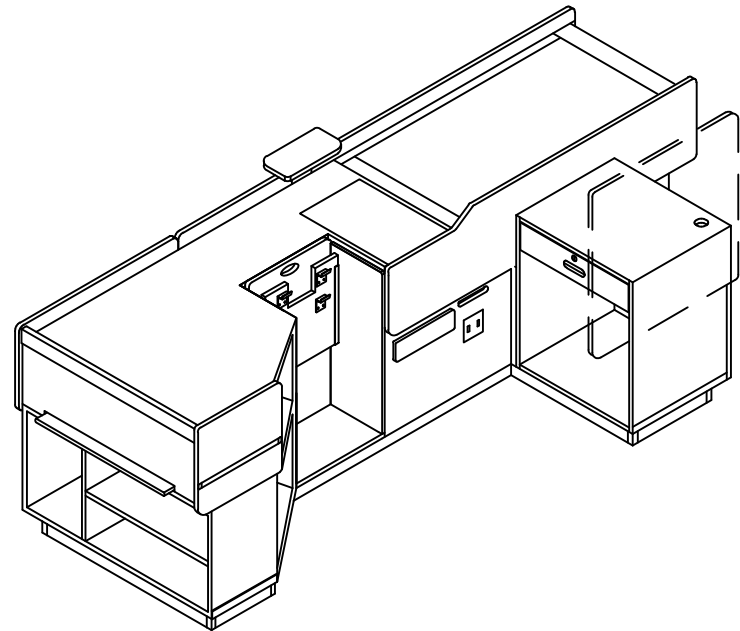
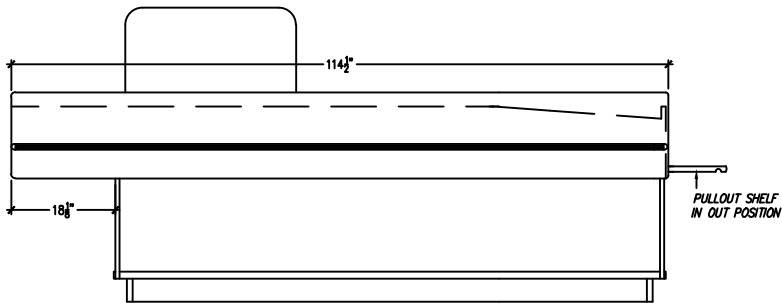


P1 PLAN VIEW: SB-240 CHECKOUT LEFT HAND SHOWN
SCALE: 3/8" = 1'-0"

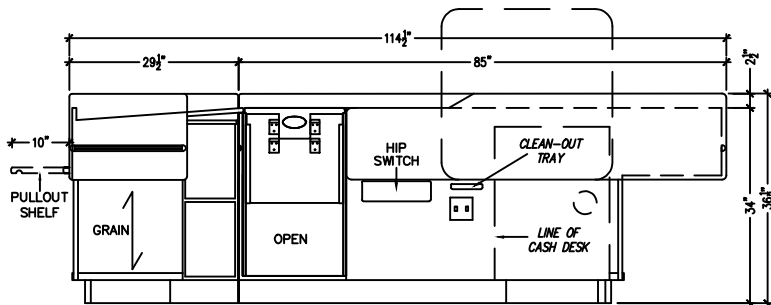


I1 ISOMETRIC VIEW: SB-240 CHECKOUT L/H SHOWN
SCALE: NOT TO SCALE

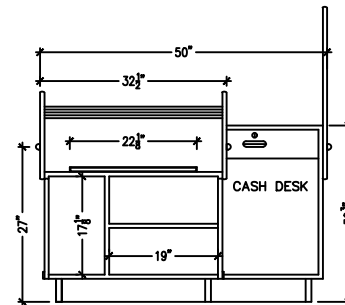


E1 OUTSIDE ELEVATION: SB-240 CHECKOUT L/H SHOWN
SCALE: 3/8" = 1'-0"

MODEL SB-240
SINGLE BELT LEFTHAND
CHECKSTAND



E2 INSIDE ELEVATION: SB-240 CHECKOUT L/H SHOWN
SCALE: 3/8" = 1'-0"



E3 END ELEVATION: SB-240 CHECKOUT L/H SHOWN
SCALE: 3/8" = 1'-0"

**BEL-PAR
INDUSTRIES LTD.**

12160 - 103A Avenue
Surrey, B.C. Canada V3V 3G8
Ph (604) 581-5291 Fax (604) 581-3112

CUSTOMER:
**SB-240 CHECKOUT
LEFT HAND UNIT**

TITLE: **PROMO SB-240**

DRAWN BY: BEL-PAR	CAD FILE: SB-240
SCALE: 1 1/2" = 1' 0"	DATE: MAR 2013
WORK ORDER:	SHEET NO. 1