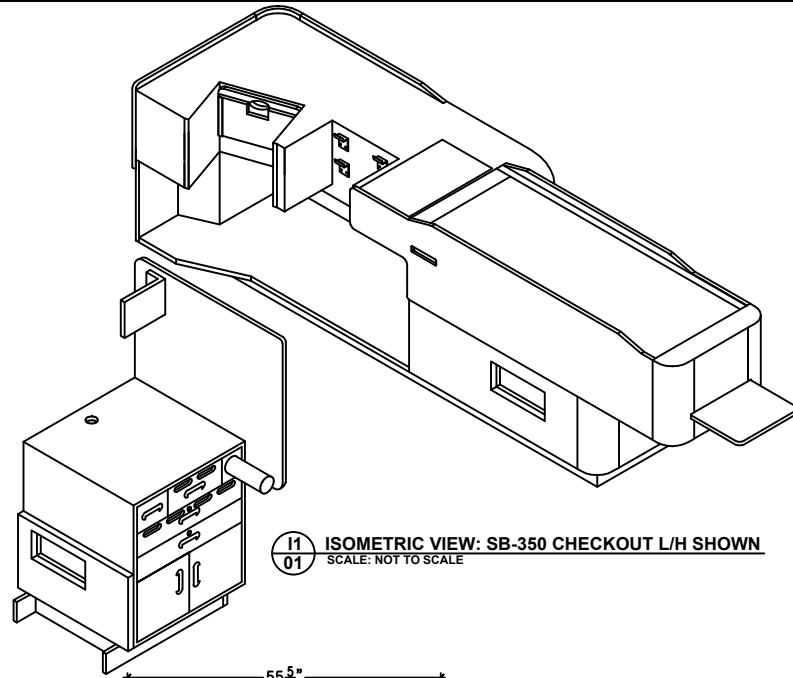
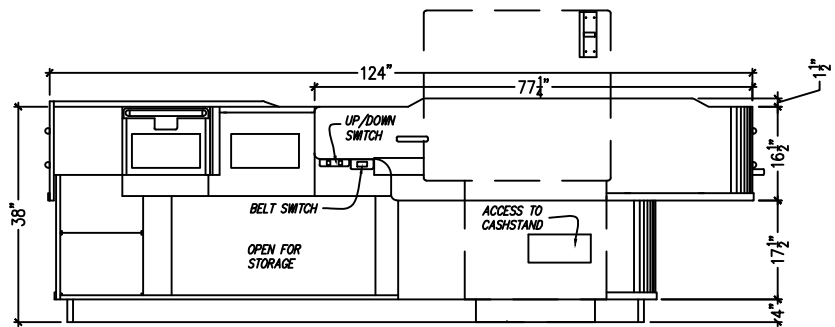


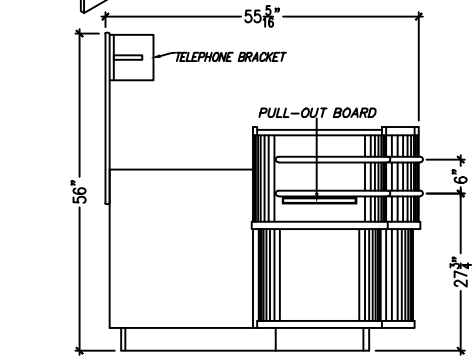
P1
01 PLAN VIEW: SB-350 CHECKOUT LEFT HAND SHOWN
SCALE: 3/8" = 1'-0"



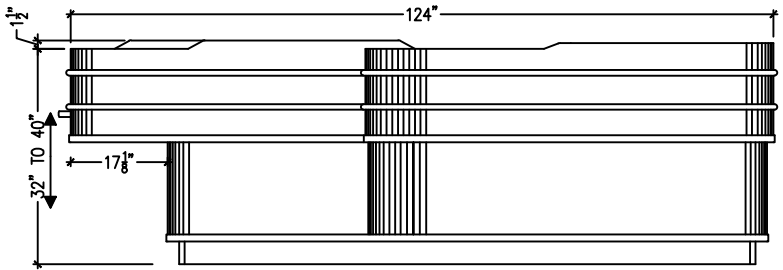
I1
01 ISOMETRIC VIEW: SB-350 CHECKOUT L/H SHOWN
SCALE: NOT TO SCALE



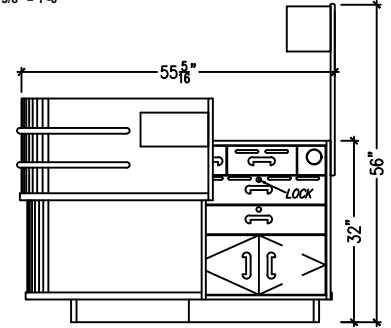
E1
01 INSIDE ELEVATION: SB-350 CHECKOUT L/H SHOWN
SCALE: 3/8" = 1'-0"



E2
01 END ELEVATION: SB-350 CHECKOUT L/H SHOWN
SCALE: 3/8" = 1'-0"



E3
01 OUTSIDE ELEVATION: SB-350 CHECKOUT L/H SHOWN
SCALE: 3/8" = 1'-0"



E4
01 END ELEVATION: SB-350 CHECKOUT L/H SHOWN
SCALE: 3/8" = 1'-0"



BEL-PAR INDUSTRIES LTD.

12160 - 103A Avenue
Surrey, B.C. Canada V3V 3G8
Ph (604) 581-5291 Fax (604) 581-3112

CUSTOMER:
SINGLE BELT ADJ.
HEIGHT CHECKOUT

TITLE: PROMO SB-350 L/H

DRAWN BY: BEL-PAR	CAD FILE: SB350-Standard-JAN
SCALE: 1 1/2" = 1' 0"	DATE: JAN 2010
WORK ORDER:	SHEET NO. 1